

New Electronic Contactors Truck Range of units

Description: New electronic contactor replaces magnetic version on Truck range for manufacture of new units from S/N:

Unit Description	From Serial Number in Manufacturing
Supra & Oasis Single Temperature	TC807113 (revision A)
Supra MT	GC802074
Supra U Single Temperature	TC749062
Supra U Multi Temperature	GC802074

- Electronic contactors replace magnetic type to improve reliability

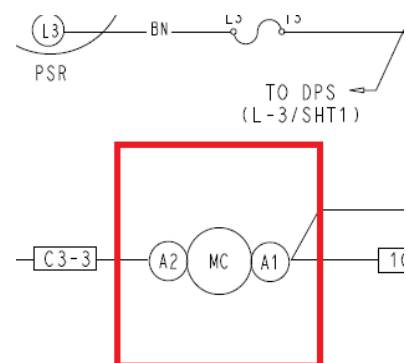
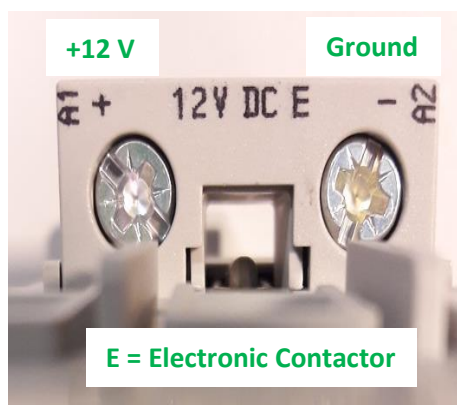
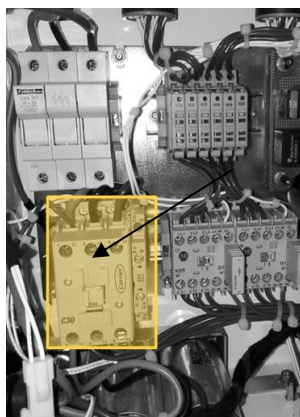


The new electronic contactors are a direct replacement for the old style but are polarized, and do not need the black auxiliary connection wires which can be discarded with the old contactor. It was possible to wire the positive and negative connections either way on the old magnetic contactor, but this is not possible on the new electronic type. Be careful to connect positive and ground connections as marked on the new contactor the correct way around.

C30 Contactor Polarity on C30 Contactor Polarity on Electrical Diagram

Replacement parts for field service:

Old Magnetic Contactor can be replaced with new Electronic Contactor:



eS/N of the Unit	Fitted Part	Replacement part
Before S/N application	Magnetic Contactor (aux on right) P/N 10-0433-00	Electronic Contactor (aux on right) P/N 10-00503-31
After S/N application	Electronic Contactor (aux on right) P/N 10-00503-31	Electronic Contactor (aux on right) P/N 10-00503-31